

Type code:

- MKDG: Three-phase isolating transformers / Modular design (strip lamination) / installed in enclosure – Degree of protection IP20

- MKDH: Three-phase isolating transformers / Modular design (strip lamination) / installed in enclosure – Degree of protection IP54 / reduced output power

Generally:

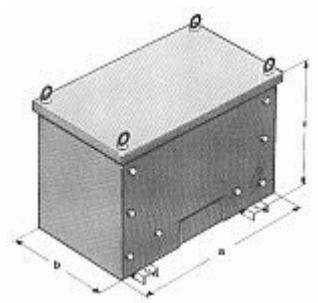
- Separated windings (transformer with protective separation between input and output windings)
- Degree of protection IP20 - Types MKDG
- Degree of protection IP54 - Types MKDH (reduced output power because of lacking air coolant)
- Class of protection I
- Dimensioning for pollution severity P2
- maximum ambient temperature 40°C / Insulation class F
- Frequency 50 to 60 Hz
- Vacuum-resin-impregnated
- Dimensioned for continuous operation (ED = 100 %)
- Connections - currents up to ca. 250 A on transformer terminals - shockproof according to VBG4
- currents higher than ca. 250 A with bolt connection – shock protection has to be ensured by installation

Standards and basics:

- VDE0570-1 (EN61558-1 / IEC61558-1) – follow-up standard for VDE0551 (EN60742 / IEC742)
„Safety of transformers, power packs and the like“
- Transformers with a output voltage > 42 V
- VDE0570-2-4 (EN61558-2-4 / IEC61558-2-4) – follow-up standard for VDE0551 (EN60742 / IEC742)
„Particular requirements for isolating transformers for general use“
- General technical conditions and information



- Variants of voltage:	
Primary: 100 - 1000 V (voltage eligible)	Secondary: 43 - 1000 V (voltage eligible)



Sizes, output powers, dimensions and weights for the types MKDG and MKDH										
Nominal power in kVA = type designation	Type MKDG				Type MKDH				Cu. - weight in kg	total-weight in kg
	output power in kVA	a in mm	b in mm	c in mm	output power in kVA	a in mm	b in mm	c in mm		
12,5	12,5	550	480	490	8,8	640	460	510	30	115
15	15	550	480	490	10	640	460	510	40	125

17,5	17,5	550	480	490	12,5	640	460	510	44	140
20	20	550	480	490	15	640	460	510	50	155
25	25	610	540	570	17,5	740	510	590	53	180
30	30	610	540	570	20	740	510	590	55	19
40	40	610	690	660	30	740	510	590	63	240
50	50	610	690	660	35	740	510	590	100	310
63	63	800	730	730	45	1020	720	720	120	360
75	75	800	730	730	50	1020	720	720	125	400
88	88	800	730	730	63	1020	720	720	140	440
100	100	800	730	730	75	1020	720	720	145	480
130	130	800	730	730	88	1020	720	720	190	560
160	160	1120	820	830	110	1120	820	830	240	665
200	200	1120	820	830	140	1120	820	830	270	795
250	250	1120	820	830	175	1120	820	830	360	975
315	315	1310	820	1300	220	1310	820	1300	380	1030
400	400	1310	820	1300	280	1310	820	1300	400	1150
500	500	1310	820	1300	350	1310	820	1300	450	1450

Options (on inquiry)

- Dimensioning for short-time duty - Protections
- additional tappings and booster windings - Installation of a main switch and other components
- safety isolating transformers acc. to VDE0570-2-6 with output voltages < 43 V