

Type code:

- **DTSK: Three-phase safety isolating transformers / 3UI-core / vertical**
- **DTLK: Three-phase safety isolating transformers / 3UI-core / horizontal**

Generally:

- Separated windings (isolating transformer for supply of SELV (safety extra-low voltage) or PELV (protective extra low voltage) - circuits).
- Degree of protection IP00 (suitable for installation in enclosures up to IP20)
- Ground connection as preparation for fitting in gears and systems of class of protection I
- Dimensioning for pollution severity P2
- maximum ambient temperature 40°C / Insulation class B
- Frequency 50 to 60 Hz
- Vacuum-resin-impregnated
- Dimensioned for continuous operation (ED = 100 %)
- Connections - currents up to ca. 250 A on transformer terminals - shockproof according to VBG4
- currents higher than ca. 250 A with bolt connection – shock protection has to be ensured by the installation

Standards and basics:

- VDE0570-1 (EN61558-1 / IEC61558-1) – follow-up standard for VDE0551 (EN60742 / IEC742) „Safety of transformers, power packs and the like“
- VDE0570-2-6 (EN61558-2-6 / IEC61558-2-6) – follow-up standard for VDE0551 (EN60742 / IEC742) „Particular requirements for safety isolating transformers for general use“
- General technical conditions and information



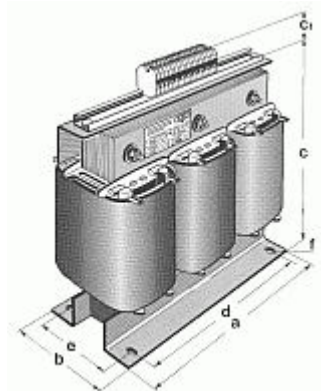
- Variants of voltage:

Primary: 100 - 1000 V  
- voltage eligible

Secondary: 2 - 50 V \*  
- voltage eligible

\* The open-circuit voltage must not cross 50 V (r.m.s. value).

- DTSK



- DTLK

